
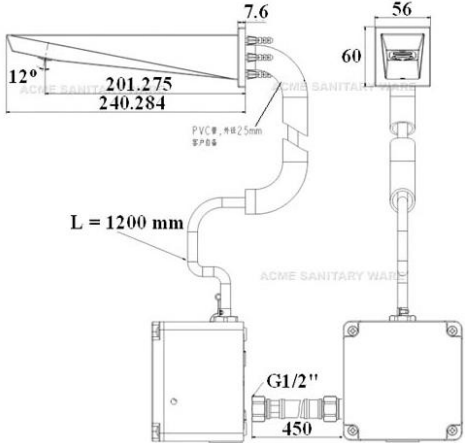




PROJECT		REF		REV	ITEM CODE	
LOCATION		DATE			PAGE	

SANITARY WARE SPECIFICATION SHEET

Item Descriptions	American Standard (PRC) Chrome plated wall mounted sensor faucet with Line-Sensor Technology, 6V alkaline battery DC	Illustration/ Drawing 
Dimensions	L240 x W56 x H60 mm	
Model	CF-8511.D00.50	
Finish	Chrome Plated	
Manufacturer	American Standard (PRC)	
Source	Acme Sanitary Ware Co. Ltd Mr. Eric Wong / Mr. Don Yuen	
Contact Tel/Fax	(852) 2388-7171 / (852) 2710-8012	
E-mail	acme@acmesanitary.com.hk	
Website	www.acmesanitary.com.hk	

<p>Line sensor at the spout With PCA aerator to ensure stable water flow under high pressure Safety stop at 59 sec 6V alkaline battery</p> <ul style="list-style-type: none"> Consisting of 64-light receiving elements mounted in a straight line at the spout, American Standard's Line Sensor comes equipped with Image Processing Technology to provide unmatched sensor precision compared to a conventional sensor faucet. The streamlined designed faucets also feature aerated water flow to prevent water splashing, offering you an unparalleled experience of both aesthetics and performance for your commercial projects. 	
---	--

Note:

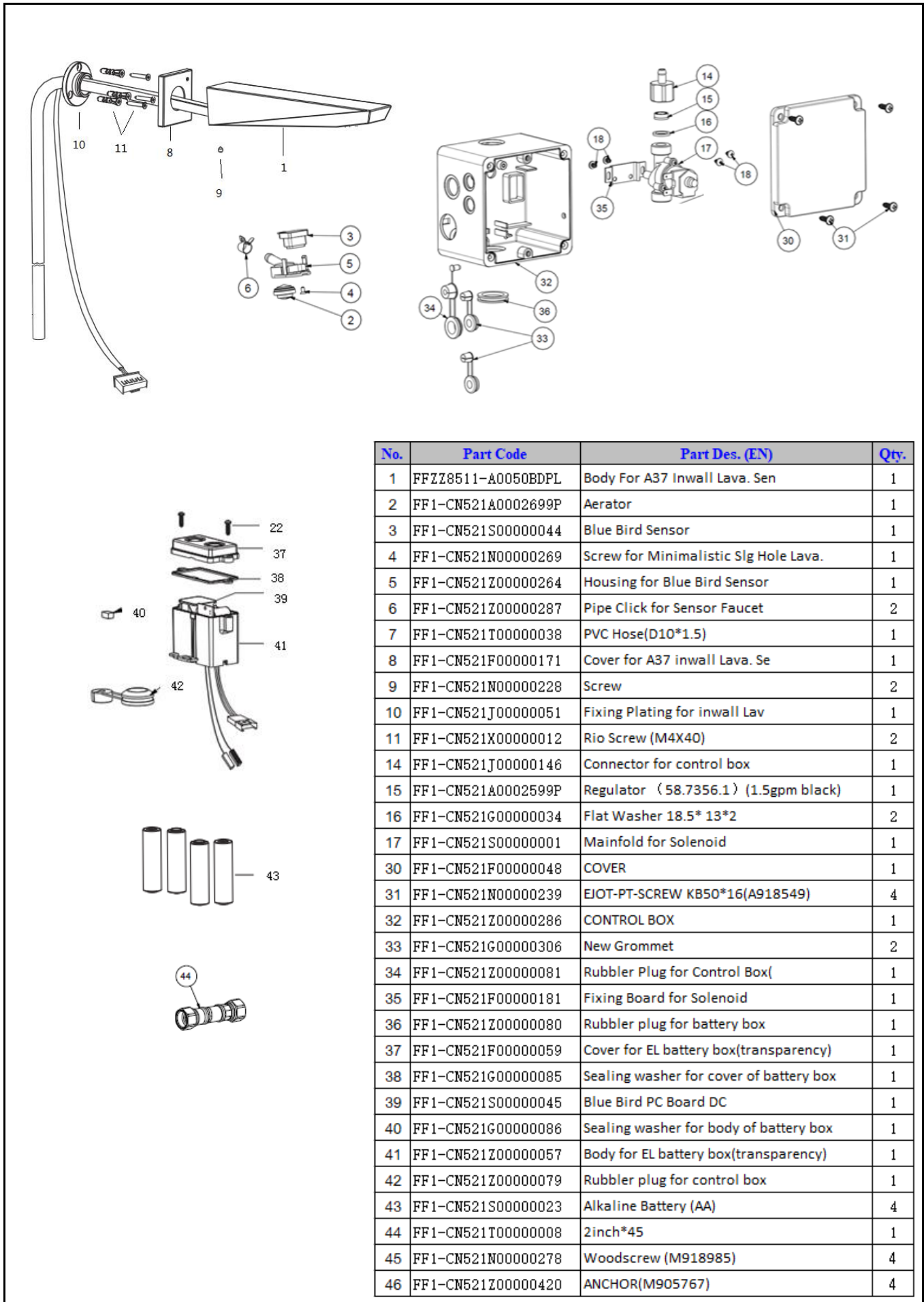
** All information of the above is for the reference only. No prior notice is made if any changes.*



Acme Sanitary Ware Co. Ltd.

1/F, Acme Building, 22-28 Nanking Street, Kowloon, Hong Kong
 Tel: 2388 7171 Fax: 2710 8012
 Email: acme@acmesanitary.com.hk
 Website: www.acmesanitary.com.hk

American Standard



No.	Part Code	Part Des. (EN)	Qty.
1	FFZZ8511-A0050BDPL	Body For A37 Inwall Lava. Sen	1
2	FF1-CN521A0002699P	Aerator	1
3	FF1-CN521S00000044	Blue Bird Sensor	1
4	FF1-CN521N000000269	Screw for Minimalistic Slg Hole Lava.	1
5	FF1-CN521Z000000264	Housing for Blue Bird Sensor	1
6	FF1-CN521Z000000287	Pipe Click for Sensor Faucet	2
7	FF1-CN521T000000038	PVC Hose(D10*1.5)	1
8	FF1-CN521F000000171	Cover for A37 inwall Lava. Se	1
9	FF1-CN521N000000228	Screw	2
10	FF1-CN521J000000051	Fixing Plating for inwall Lav	1
11	FF1-CN521X000000012	Rio Screw (M4X40)	2
14	FF1-CN521J000000146	Connector for control box	1
15	FF1-CN521A0002599P	Regulator (58.7356.1) (1.5gpm black)	1
16	FF1-CN521G000000034	Flat Washer 18.5* 13*2	2
17	FF1-CN521S000000001	Mainfold for Solenoid	1
30	FF1-CN521F000000048	COVER	1
31	FF1-CN521N000000239	EJOT-PT-SCREW K850*16(A918549)	4
32	FF1-CN521Z000000286	CONTROL BOX	1
33	FF1-CN521G000000306	New Grommet	2
34	FF1-CN521Z000000081	Rubbler Plug for Control Box(1
35	FF1-CN521F000000181	Fixing Board for Solenoid	1
36	FF1-CN521Z000000080	Rubbler plug for battery box	1
37	FF1-CN521F000000059	Cover for EL battery box(transparency)	1
38	FF1-CN521G000000085	Sealing washer for cover of battery box	1
39	FF1-CN521S000000045	Blue Bird PC Board DC	1
40	FF1-CN521G000000086	Sealing washer for body of battery box	1
41	FF1-CN521Z000000057	Body for EL battery box(transparency)	1
42	FF1-CN521Z000000079	Rubbler plug for control box	1
43	FF1-CN521S000000023	Alkaline Battery (AA)	4
44	FF1-CN521T000000008	2inch*45	1
45	FF1-CN521N000000278	Woodscrew (M918985)	4
46	FF1-CN521Z000000420	ANCHOR(M905767)	4

* All information of the above is for the reference only. No prior notice is made if any changes.